



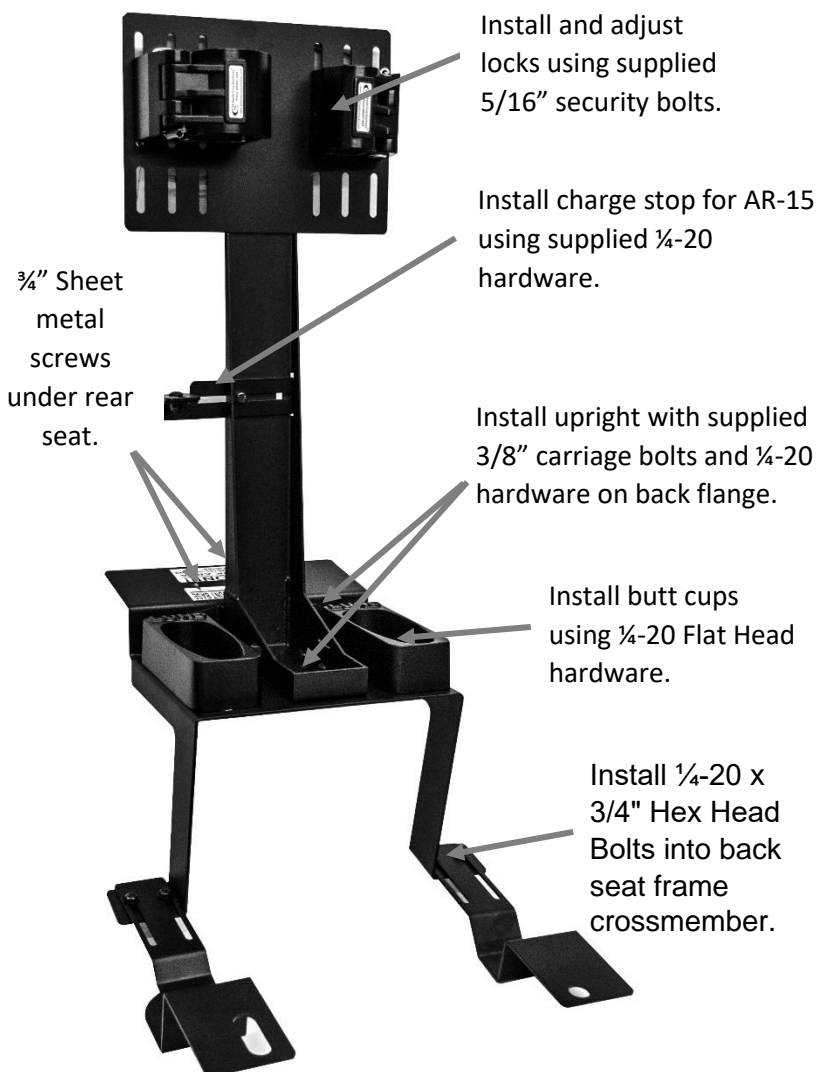
3175 MacARTHUR BLVD. • NORTHBROOK, IL • 60062  
847-459-1460 • FAX 847-714-9443  
www.lund-industries.com  
www.data-carts.com

## SS-GM2-CGR11 Behind the Seat Stand-Alone Dual Gun Rack for Dodge Charger

### CAUTION:

Always check before drilling or screwing to be certain not to hit anything (fuel tank, lines, wiring, etc) beneath the carpet, the transmission hump or the vehicle.

Be sure to comply with all gun safety rules when storing a firearm. Never store a firearm with a round in the chamber.



1. Assemble gunrack as shown. Position locks, charge stop and butt cups to fit guns securely.
2. Remove rear seat bottom.
3. Push front seats all the way forward. Remove back nuts on front seat rails and install legs under seat rails. Reinstall factory hardware and leave loose.
4. See picture on opposite side. Be sure rack is tight against the back-seat frame crossmember. Install #14 x 3/4" sheet metal screws into crossmember.  
**Caution:** gas tank is behind this area. Only use the supplied #14 x 3/4" sheet metal screws. The frame cross member isolates screws from the gas tank.
5. Tighten front seat rail bolts and make sure seats slide all the way back. Reinstall rear seat bottom.

