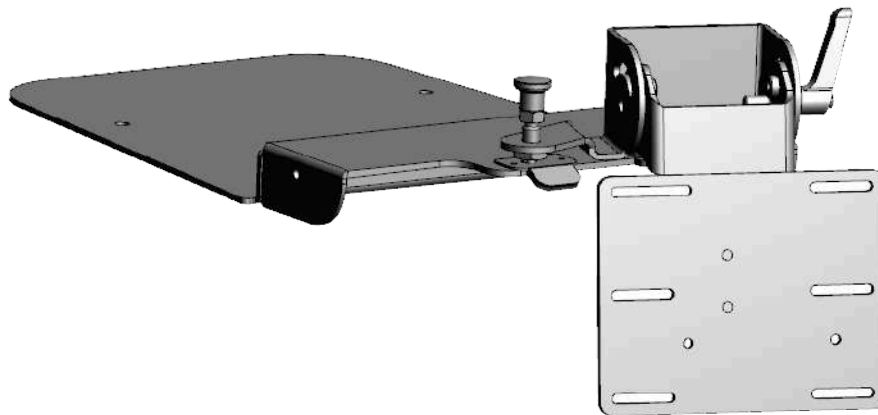




3175 MacARTHUR BLVD. • NORTHBROOK, IL • 60062
847-459-1460 • FAX 847-714-9443
www.lund-industries.com
www.data-carts.com

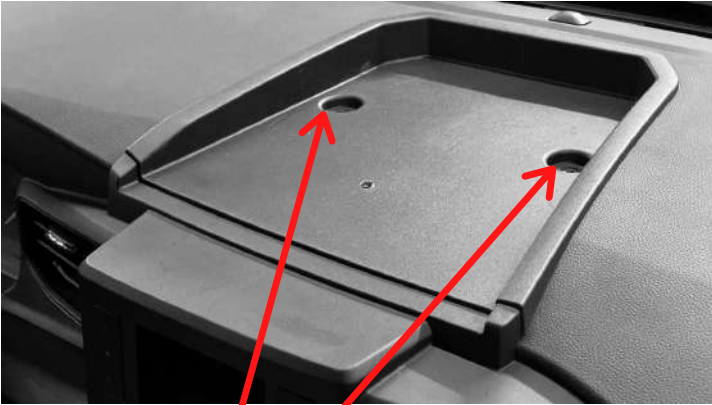
2025 Interceptor Utility On-Dash Mount P/N ODM-PIU25



Caution: Always Check for wiring, modules, etc. Before Drilling into the Dash

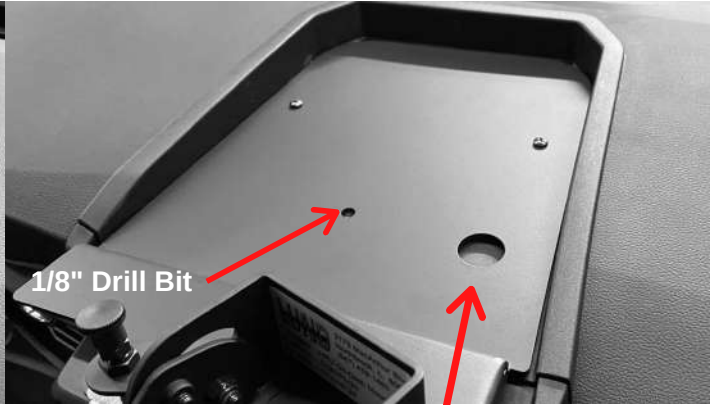
1. Remove the 2 factory screws on top of the center dash as shown in **Fig.1**
2. Place the **ODM-PIU25** on top of the dash and mark your center hole and larger 1" hole if desired to run cables inside the dash as shown in **Fig 2**.
3. Once marked remove the ODM and factory top plate to make sure there is nothing in the way of your drilling points. While you have the factory top plate still off drill a 1 1/4" hole where you would run your wires through if you choose to. Pre-Drill the 3rd hole with 1/8" Drill Bit.
4. Re-install both OEM top plate then the ODM on top of it, secure the ODM with the 2 provided screws replacing the ones you had removed in step 1.
5. Screw in the provided 3/4" x 12 sheet metal screw shown in **Fig.2 (Do not over tighten or distort dash when tightening)**
6. Next screw one end of the support brace to the top right corner of the on dash mount and the lower part to the console as shown in **Fig 3 & 4** If you are not using a Lund console find another suitable spot to secure the lower part of the support brace. Be sure the dash mount swivels & tilts fully.
7. Finally Mount your tablet and run wires.

Fig 1.



**Factory Screw
Holes**

Fig 2.



Cable Hole

Bottom of Brace

Fig 3.



Top of Brace

Fig 4.

