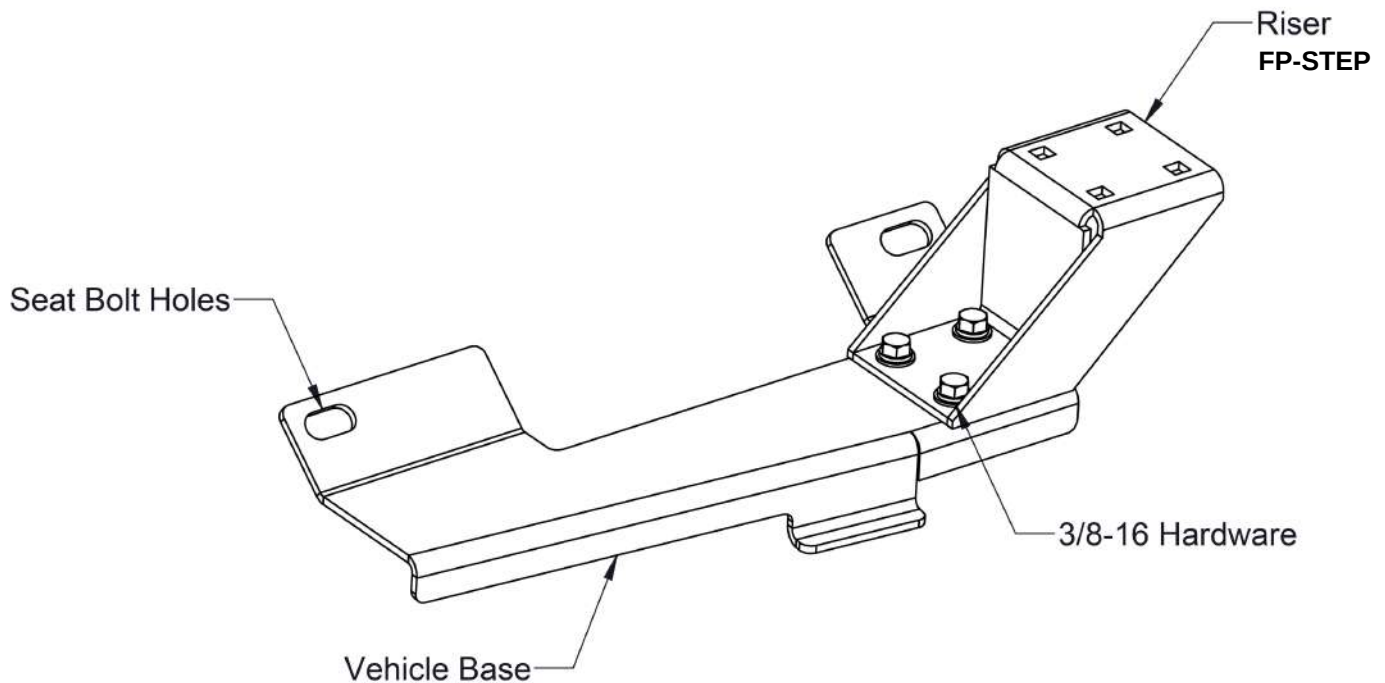




3175 MacARTHUR BLVD. • NORTHBROOK, IL • 60062
847-459-1460 • FAX 847-714-9443
www.lund-industries.com
www.data-carts.com

2019+ Dodge Ram Base Installation Instructions FP-RAM19



Always!

- Read all instructions before installing any Lund products.
- Check for obstructions (Wires, brake lines, fuel tank, etc.) before drilling any holes!
 - Use hardware provided with install kit
 - Never store weapons with rounds in the chamber

V1.0 6-2023

The **FP-RAM19** vehicle base is compatible with 19+ Ram 1500 to 3500 trucks. ***This is not compatible with older body style 2019 'Classic' trim level trucks***

Install Steps:

- Remove the passenger seat trim to access the seat bolts.
- Remove the front passenger seat bolts and loosen or remove the rear passenger seat bolts using an E12 external torx socket.
- Place the vehicle base between the passenger seat rails and the vehicle's floor. Reinstall and tighten all passenger seat bolts.
- Install the **FP-STEP** riser on the vehicle base using provided in the hardware bag.