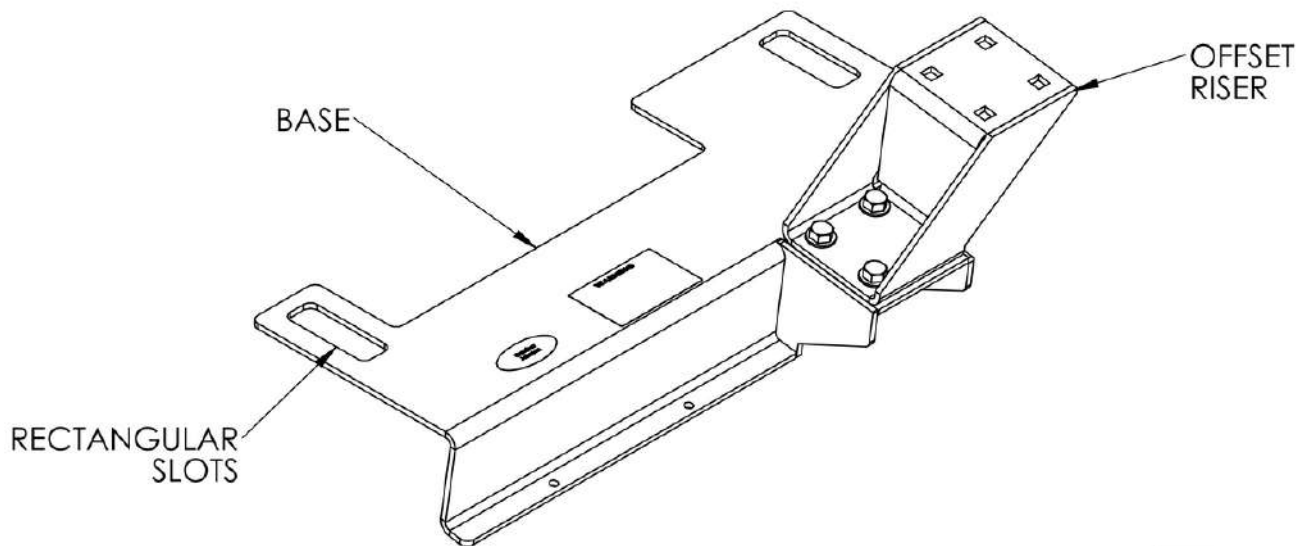




3175 MacARTHUR BLVD. • NORTHBROOK, IL • 60062
847-459-1460 • FAX 847-714-9443
www.lund-industries.com
www.data-carts.com

2017+ Chevy Malibu Passenger Side Base P/N FP-MAL17



Remember to remove spare tire & Jack before installing

Always!

- Read all instructions before installing any Lund products.
- Check for obstructions (Wires, brake lines, fuel tank, etc.) before drilling any holes!
 - Use hardware provided with install kit

V1.0 2-24

Installing the Base:

- Remove the front two seat bolts and loosen the two rear seat bolts on the passenger side seat using a T-50 Bit. The seat will need to be moved forward to access the rear seat bolts.
- Place the vehicle base between the floor and the passenger seat rails. The welded square nuts on the bottom of the seat rail as well as the guide pin on the inboard seat rail should fall into the rectangular slots on the base. See **(Fig.2&3)**



FIG 1 - Front Seat Bolts (T-50 Bit Required)



FIG 2 - Base installed between seat rail and floor

- Position the vehicle base so the front flange is as far back as it will sit then reinstall the front seat bolts. Re-tighten the rear seat bolts that were loosened in step 1.
- Install the offset riser using the 3/8-16 x .75 bolts and 3/8 washers included in the hardware bag. Install any additional equipment such as lower poles. See **(Fig. 4)**

SQUARE NUT



FIG 3 - Square nut on bottom of seat rail



FIG 4 - Offset riser installed on base