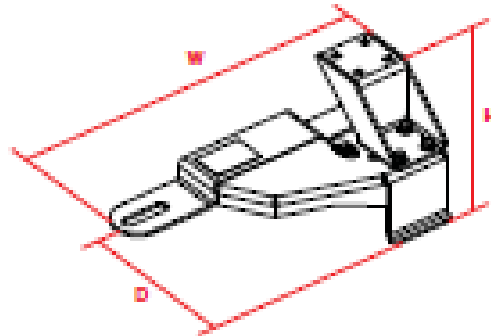




3175 MacARTHUR BLVD. • NORTHBROOK, IL • 60062
847-459-1460 • FAX 847-714-9443
www.lund-industries.com
www.data-carts.com

FP-FPI FLOOR PLATE SPECIFICATIONS

2012- NEWER Ford Police Interceptor
Sedan and Utility



H- 8.2"

W- 19.0"

D- 8.93"

Weight 11 pounds