



303 MESSNER DR. • WHEELING, IL • 60090
847-459-1460 • FAX 847-459-1569
WWW.LUND-INDUSTRIES.COM

FP-134

Rev 06/1

Chevy Express Van (1995-2009)
Chevy G-Series Van (1995-2009)
GMC Savanna (1995-2009)
GMC G series Van (1995-2009)
Vehicle Base

The Purpose of this installation instruction sheet is to illustrate how to properly install the Chevy C-Series van. 2 piece mount. The Mount is shipped assembled, but can be disassembled for easier installation, or to utilize an alternate configuration of the FP-52 pole.

NOTE:

If the FP-52 pole is removed from the mounting plate before installation, replace the forum nuts on the four carriage bolts. There will be little to no clearance beneath the mounting plate once it is installed. Therefore, the carriage bolts must remain inserted, from the bottom side, in the mounting plate.

- 1. Loosen the nuts found in the four corners of the seat frame to within a few threads of coming off the threaded seat stud (See Figure 1).

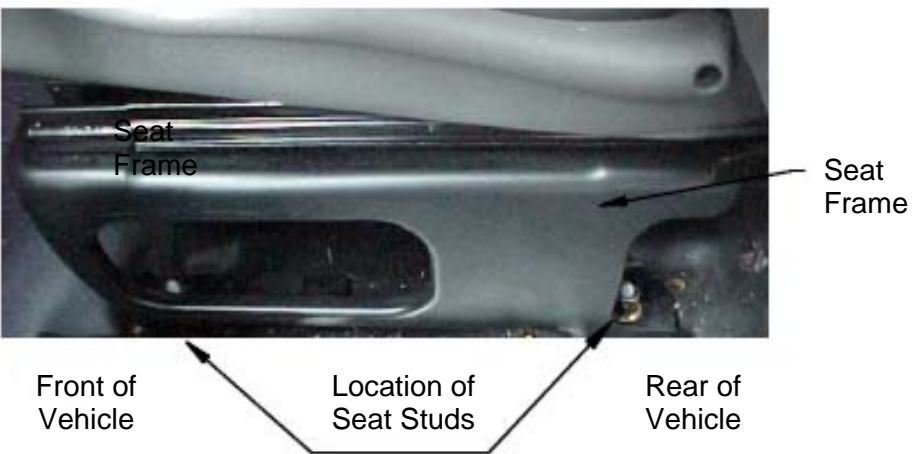


Figure 1

- 2. Next, lift the passenger's seat on the side closest to the center of the vehicle. Insert the forward tab of the mounting plate by placing the notch around the seat stud closest to the front of the vehicle (See Figure 2).

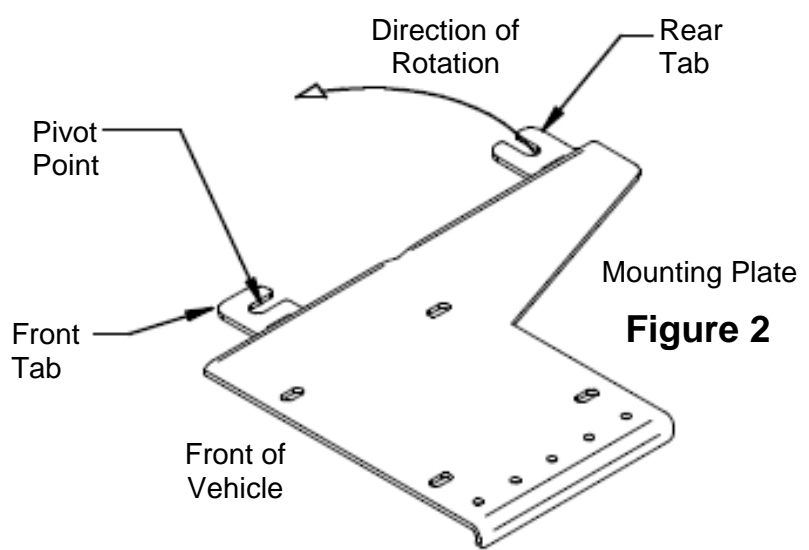
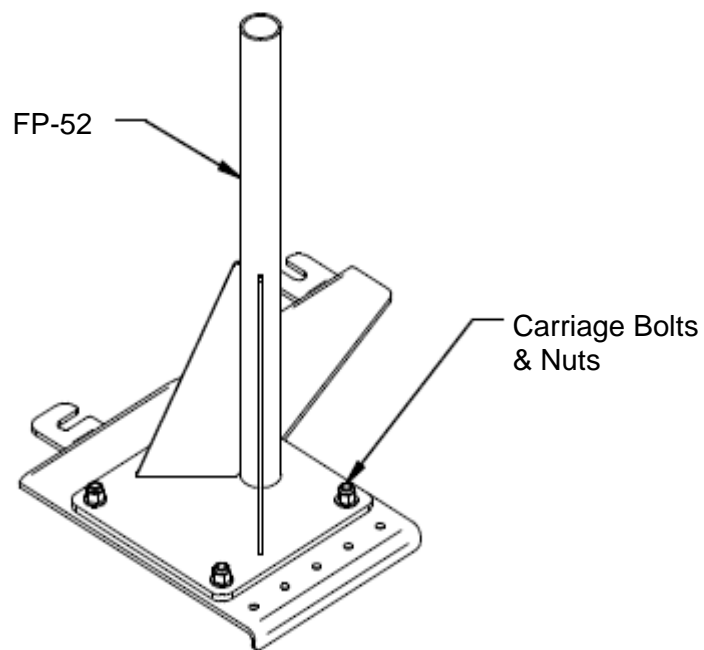


Figure 2

3. Next, using the front seat stud as a pivot point, rotate the rear tab of the mounting plate so that the notch engages around the rear seat stud (See Figure 2).
4. Once the mounting plate is in place, firmly tighten the nuts on the seat studs. This completes the primary installation. For secondary stabilization, the five holes on the driver's side of the mounting plate can be used to put a bolt through the floor of the vehicle. While drilling through the floor of the vehicle, use extreme caution not to damage any undercarriage components (i.e. wires, manifolds, etc.).



Complete Assembly

Figure 3

Product Mounting Disclaimer

Lund Industries, Inc. is not liable under any theory of contract or tort law for any loss, damage, personal injury, special, incidental or consequential damages for personal injury or other damage of any nature arising directly or indirectly as a result of the improper installation or use of its products in vehicle or any other application. In order to safely install and use Lund Industries, Inc. products full consideration of vehicle occupants, vehicle systems (i.e., the location of fuel lines, brakes lines, electrical, drive train or other systems), air-bags and other safety equipment is required. Lund Industries, Inc. specifically disclaims any responsibility for the improper use or installation of its products not consistent with the original vehicle manufactures specifications and recommendations, Lund Industries, Inc. product instruction sheets.

Specialists in Emergency Vehicle Products Since 1978 Design, Manufacturing, Distribution & Installation