



3175 MacARTHUR BLVD. • NORTHBROOK, IL • 60062
847-459-1460 • FAX 847-714-9443
www.lund-industries.com
www.data-carts.com

FP-133

Rev 07/12

Dodge Durango (2011-Newer) Jeep Grand Cherokee (2011-Newer) Vehicle Base

The purpose of this Instruction sheet is to illustrate the manufacturer's recommended method of installing the FP-133 vehicle base in a Dodge Durango and Jeep Grand Cherokee 2011 or Newer. The base is a simple and discreet solution that installs in minutes and requires no drilling.

Tools Needed

15mm socket
Flat head screwdriver
9/16 wrench

1. Using the flat head screwdriver or similar tool remove the circular plastic covers over the front seat bolts of the passenger seat.
2. Remove the seat bolts located at the front of the passenger seat.
3. Slide the seat forward to its limit.
4. Using the flat head screwdriver or similar tool open the rectangular plastic covers over the rear seat bolts of the passenger seat.
5. Remove the seat bolts located at the rear of the passenger seat.
6. Close the rectangular plastic covers.
7. Slide the seat backward to its limit.
8. Slide the base between the seat legs and the vehicle floor pan (see Figure 2).
9. Align the slots of the base with the mounting holes on the seat and vehicle floor.
10. Re-insert the bolts removed in STEP 2.
11. Re-insert the bolts removed in STEP 5.
12. Tighten all four (4) seat bolts securing the passenger seat
13. Secure the plastic bolt covers.
14. Secure the Offset Riser to the Dodge Durango base.

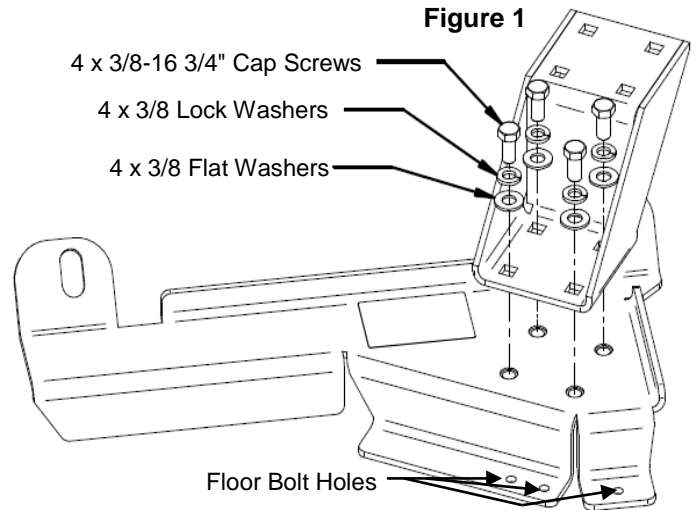


Figure 2



Figure 3



Floor Bolt Support (Optional)

The stiffness of the base can be increased by securing the front foot with a 1/4" sheet metal screw. Before adding additional support bolts look under the carpet and under the vehicle.

Product Mounting Disclaimer

Lund Industries, Inc. is not liable under any theory of contract or tort law for any loss, damage, personal injury, special, incidental or consequential damages for personal injury or other damage of any nature arising directly or indirectly as a result of the improper installation or use of its products in vehicle or any other application. In order to safely install and use Lund Industries, Inc. products full consideration of vehicle occupants, vehicle systems (i.e., the location of fuel lines, brakes lines, electrical, drive train or other systems), air-bags and other safety equipment is required. Lund Industries, Inc. specifically disclaims any responsibility for the improper use or installation of its products not consistent with the original vehicle manufactures specifications and recommendations, Lund Industries, Inc. product instruction sheets.

If you need assistance or have any questions, call Lund Industries Inc. at 1(800)504-1460
Specialists in Emergency Vehicle Products Since 1978 Design, Manufacturing, Distribution & Installation