



# THE LOFT

STORAGE AND EQUIPMENT COMPARTMENT

*PATENT PENDING No. 62/397, 198*

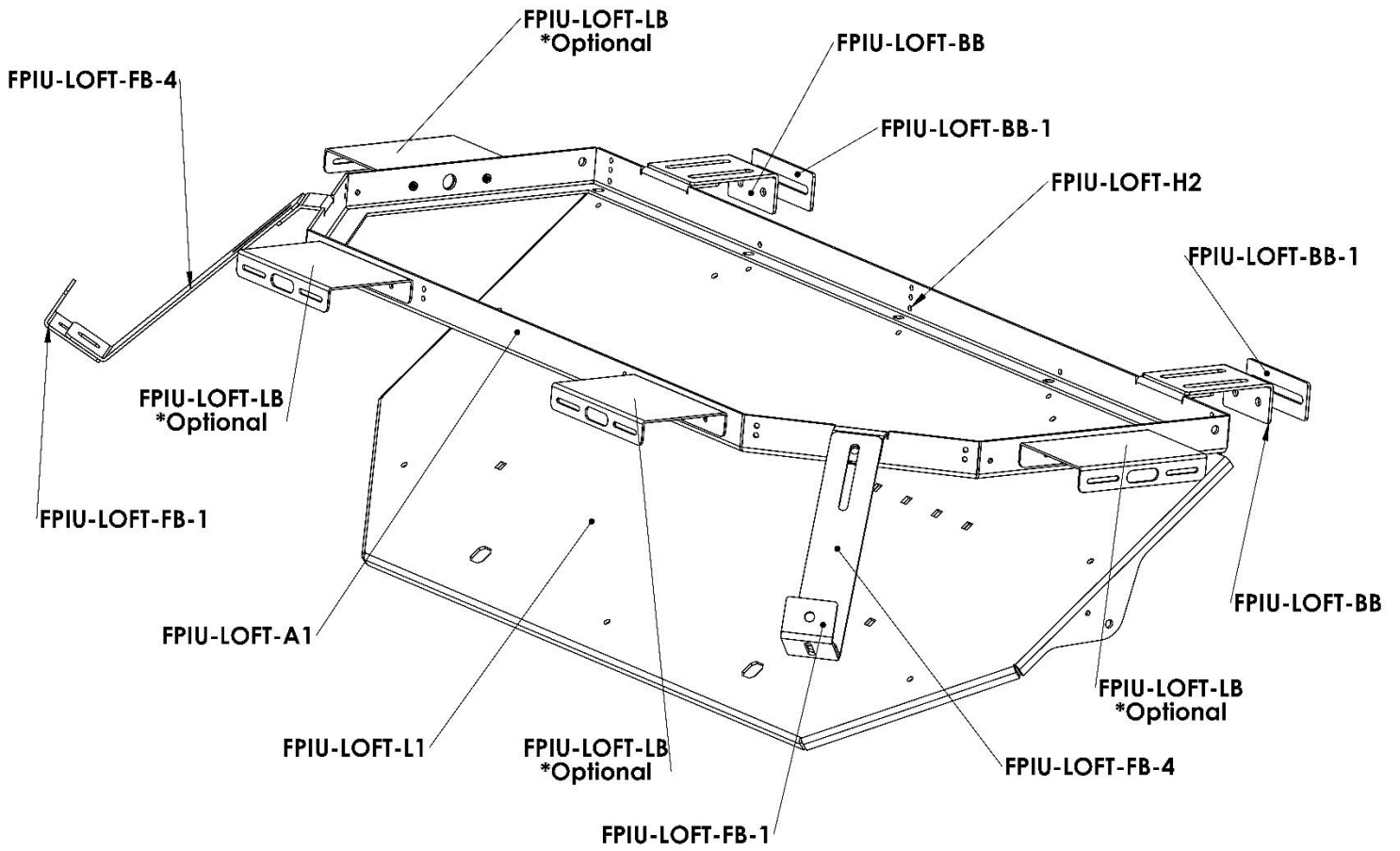
## Installation Instructions

### Ford Police Interceptor Utility 2013+

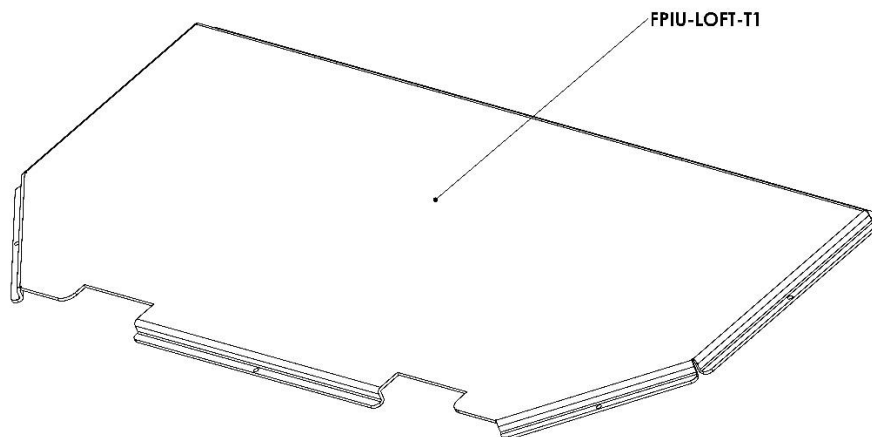
### LOFT-FPIU-EC

#### Parts and Mounting Hardware:

| <u>QTY</u> | <u>DESCRIPTION</u>                    | <u>PART NUMBER</u> |
|------------|---------------------------------------|--------------------|
| 1          | Main Frame Assembly                   | FPIU-LOFT-A1       |
| 1          | Main Lid                              | FPIU-LOFT-L1       |
| 2          | Universal Partition Mount "L" Bracket | FPIU-LOFT-BB       |
| 2          | Wire Partition Back Plate             | FPIU-LOFT-BB-1     |
| 2          | D-Pillar Mount Bracket                | FPIU-LOFT-FB-1     |
| 2          | Frame Mount Bracket                   | FPIU-LOFT-FB-4     |
| 4          | *Optional LED Light Mount Bracket     | FPIU-LOFT-LB       |
| 1          | Equipment Tray                        | FPIU-LOFT-T1       |
| 4          | 5/16"-18 x 3/4" Allen Head Bolt       |                    |
| 24         | 5/16" Washer                          |                    |
| 12         | 5/16"-18 Nylock Nut                   |                    |
| 2          | 3/8"-16 x 1" Self-Threading Bolt      |                    |
| 2          | 3/8" Washer                           |                    |
| 4          | 1/4"-20 x 1" Hex Head Bolt            |                    |
| 4          | 1/4"-20 Nylock Nut                    |                    |
| 8          | 1/4"-20 Washer                        |                    |



## LOFT EQUIPMENT TRAY



**CAUTION: FOR PASSENGER SAFETY, DO NOT USE 3<sup>RD</sup> ROW SEATING WITH THE LOFT INSTALLED.**

Rear Cargo Partition Cage needs to be installed behind second row seat prior to installation of LOFT. For non-partition mount option see separate instructions. Optional mount kit must be purchased. **Order p/n LOFT-FPIU-NPKIT**

The LOFT equipment tray can be removed from the LOFT assembly to ease installation of equipment. The installer must determine equipment location and attach to the LOFT tray. It is recommended to prewire all equipment at this time. **Do not exceed a total limit of 20 pounds of equipment and wiring.**

If adding LED lights and brackets it is recommended to install and prewire them before installing LOFT. The small holes on the frame are to install wire ties as need for wire management. **Order p/n LOFT-LEDBKT-4**

## **Installation Steps:**

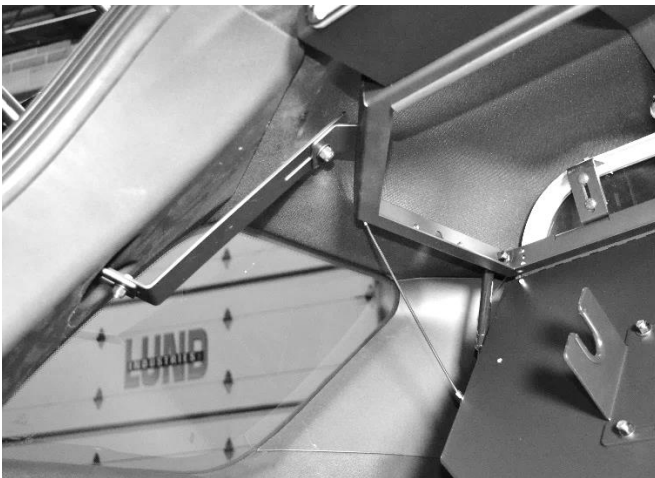


1. Remove upper rear D-Pillar trim panel on each side to expose factory 3<sup>rd</sup> row seat belt bolt holes. Use supplied Self Threading Bolts and washer to mount L-Bracket (FPIU-LOFT-FB-1) as shown in picture.



2. Reattach each trim panel. Loosely install Frame Mount Bracket (FPIU-LOFT-FB-4)

Use supplied 5/16"-18 x 3/4" Allen Head Bolts, nuts and washers.



3. Two people are recommended for this step. A temporary support can be used to help position the LOFT.

Position LOFT Assembly in rear hatch area and attach the (2) rear brackets to the frame. Push frame up towards roof liner as high as possible. As shown in picture.

Use supplied 5/16"-18 x 3/4" Allen Head Bolts, nuts and washers.



4. Level the LOFT left to right and front to back. Be sure it is as close to the roof as possible and still fits installed Gun and or equipment.

Install the Universal Partition Mount L Bracket (FPIU-LOFT-BB) to the loft and the rear partition. There are many different cage manufacturers and partition options. Installer needs to determine the best position to attach LOFT brackets to rear partition. Drilling the cage framework or attaching through a wire screen are recommended.

Picture shown as an example of mounting to a wire screen Using supplied backing plate.

5. After fully tightening all hardware on mounting brackets and LOFT frame. Double check your level left to right and front to back. Adjust as necessary.
6. Install the LOFT equipment tray onto the LOFT assembly using the supplied 10-32 pan head screws. You can now finalize any wiring.

## Using the Loft:

1. (2) wing latches are used to secure the LOFT tray in the closed position. They are key lockable for added security. Open tray by turning wing latches.

